

LUIZA

H928101-AGB

Luisa is a modern heirloom for the home. Reminiscent of a vintage torch, this elegant sconce is supported by a slender L-shaped arm. While the fluted matte opal shade nods to classical aesthetics, the elongated proportions and minimalist hardware details modernize the fixture. Available in an Aged Brass or True Bronze finish.

FINISHES

AGED BRASS

Coastal Suitable Finish (EPM): No

DIMENSIONS

Height: 23"
Width/Diameter: 4.75"
Canopy/Backplate: 4.75"
Product Weight: 2.38lb
Extension: 5"
Top to Center: 9.25"
Canopy/Backplate Shape: Round
Sloped Ceiling Compatible: No
Living Finish: No
Uplight Only: Yes

Shade

Shade 1: Glass
Shade 1 Finish: Opal Matte
Shade 1 Top Width: 2.25"
Shade 1 Bottom L/W: 0" / 3.5"
Shade 1 Height: 7.25"

ELECTRICAL

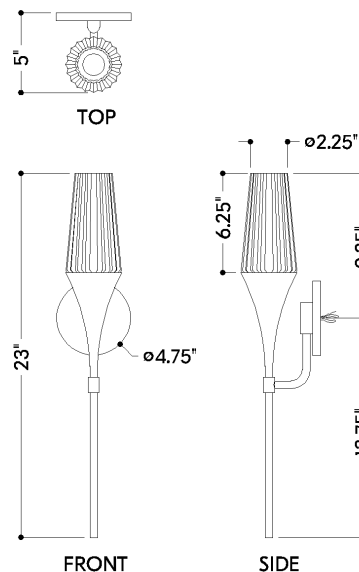


Bulb 1

Bulb Included: No
Socket: E12 Candelabra Base
Bulb Type: B11
Max Wattage: 8
Bulb Quantity: 1
Bulb Included: No
Wire Length: 7"
Cord Type: B & W TEFLON W/ GROUND WIRE
Gem Box Required (2"x3"): No
Dark Sky: No

SHIPPING

Carton 1: 13" x 13" x 8"
Carton 1 Weight: 4lb
Shipping Method: Ground
Country of Origin: VN



HUDSON VALLEY LIGHTING GROUP | hvlgroup.com | 1.800.814.3993